

## Raw Milk Coolers

We have a range of Gasketed Plate Heat Exchangers that have been specifically designed to efficiently cool raw milk using mains water and iced water. We offer two ranges:

**Single Section:** Type 1—Milk is cooled using mains water.

Type 2—Milk is cooled using iced water

**Two Section:** The first section cools the milk using mains water. The second section cools the milk using iced water.

Heat exchangers can be supplied to our standard design specifications or selected to your specific requirements.

### Construction Details

- All stainless steel
- 4 bar maximum working pressure
- Milk connections: 1½" Dairy pipe
- Water connections: 1¼" BSP male
- Glass bead blasted finish

### Single Section Standard Specification

Type 1

- Milk cooled from 35°C to 15°C
- Mains water temperature 11°C

Type 2

- Milk cooled from 35°C to 4°C
- Iced water temperature 1°C
- Standard milk flow rates up to 9,000 litres per hour.
- Larger flow rates or alternative temperatures available on request.

### Two Section Standard Specification

- Section 1—Milk cooled from 35°C to 15°C
- Section 1—Mains water temperature 11°C
- Section 2—Milk cooled from 15°C to 4°C
- Section 2—Iced water temperature 1°C
- Standard milk flow rates up to 9,000 litres per hour.
- Larger flow rates or alternative temperatures available on request.

### Options

- Stainless steel wall mounting bracket
- Hygienic connections—RJT, Tri-Clamp etc.
- Water connections 1½" dairy pipe
- Drain valves (single section unit only)

### Other products

- Brazed Plate Heat Exchangers
- Hot Water Packaged Systems
- Fan Assisted Air Heaters
- Industrial Dryers
- Air to Air Heat Exchangers
- Finned Tube Coils
- Corrugated Tube Heat Exchangers

For more information please contact our sales team.



## UK Exchangers Ltd

Unit 55, Stilebrook Road  
Olney, Buckinghamshire MK46 5EA

Tel: 01234-244320

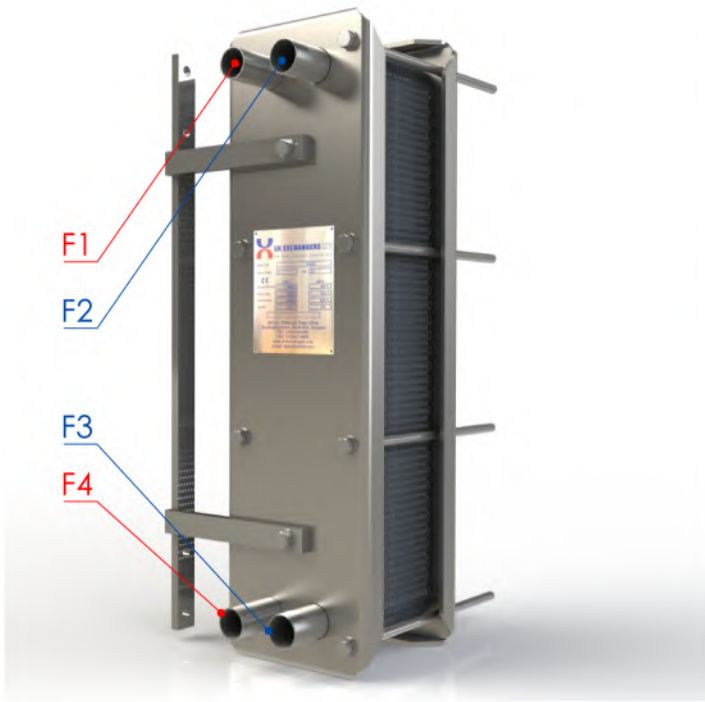
Fax: 01234-714978

E-Mail: [sales@ukeltd.com](mailto:sales@ukeltd.com)

Web Site: [www.uk-exchangers.com](http://www.uk-exchangers.com)

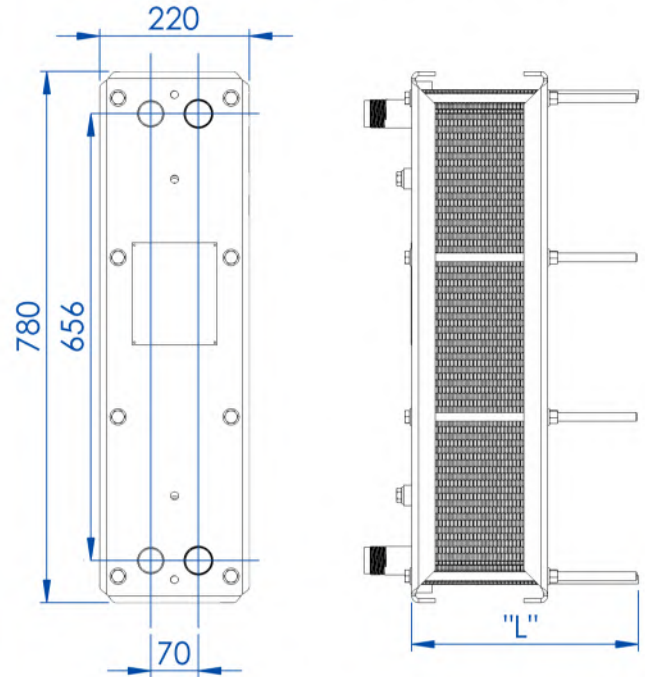
Telephone: +44 (0)1234 244320      Email: sales@ukeltd.com  
Unit 55, Stilebrook Road, Olney, Buckinghamshire, MK46 5EA, United Kingdom

Indicative Representation



Overall Dimension

All dimensions in mm unless otherwise specified

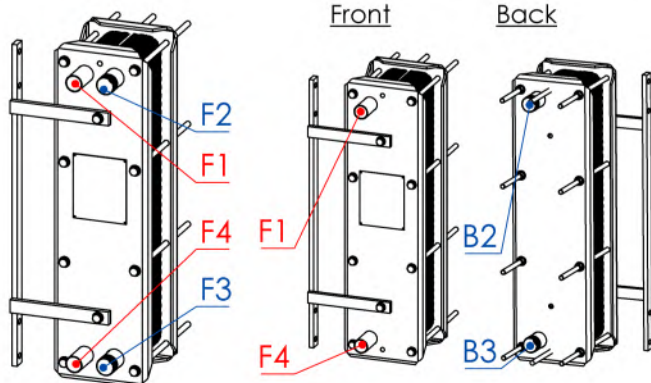


See quotation data sheet for "L"

Connection Locations

Option 1

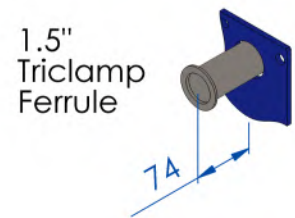
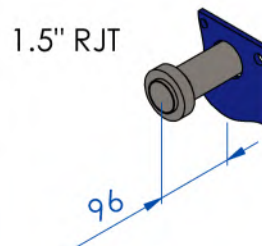
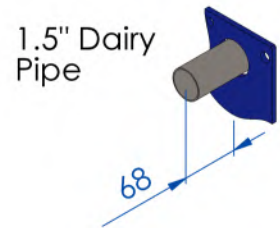
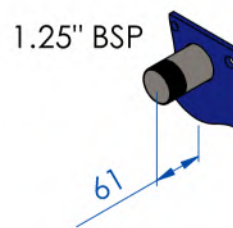
Option 2



Option 1  
F1&F4 - 1.5" dairy pipe  
F2&F3 - 1.25" BSP

Option 2  
F1&F4 - 1.5" dairy pipe  
B2&B3 - 1.25" BSP

Connection Options

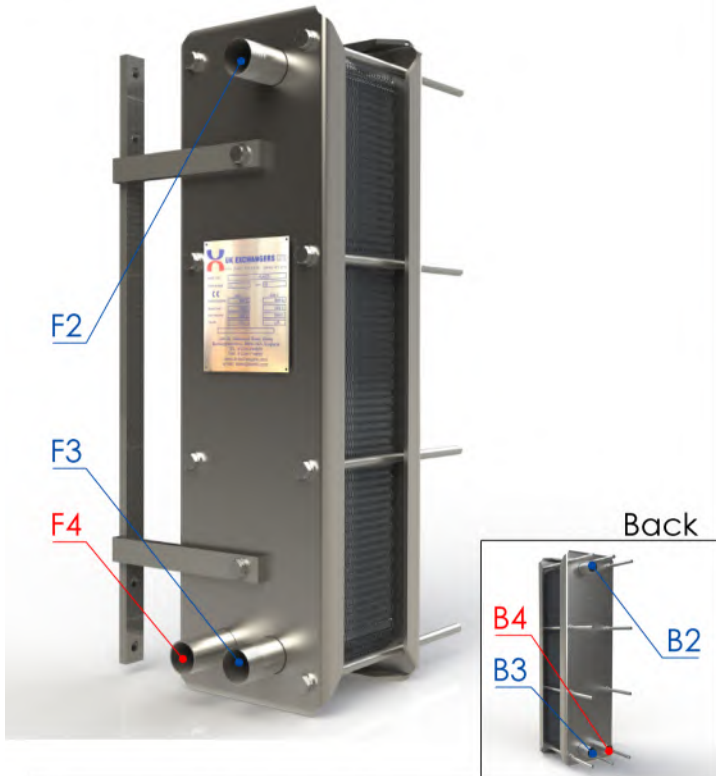


Other connection types Available on request



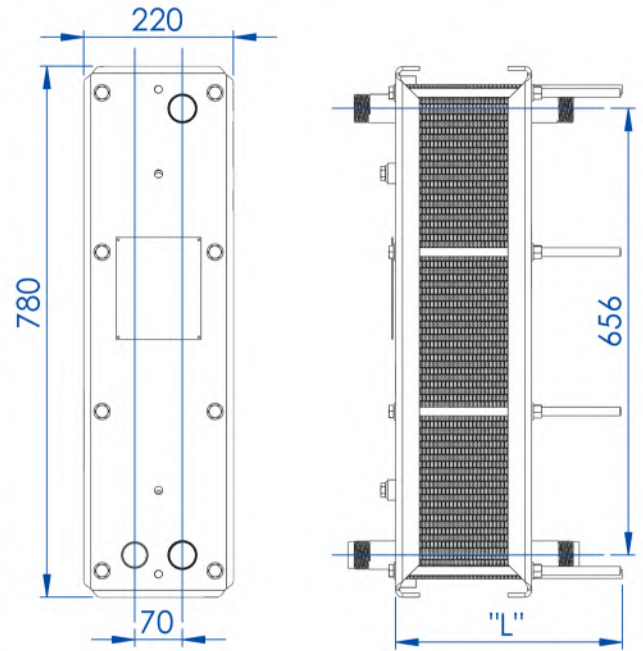
Telephone: +44 (0)1234 244320      Email: sales@ukeltd.com  
Unit 55, Stilebrook Road, Olney, Buckinghamshire, MK46 5EA, United Kingdom

Indicative Representation



Overall Dimension

All dimensions in mm unless otherwise specified

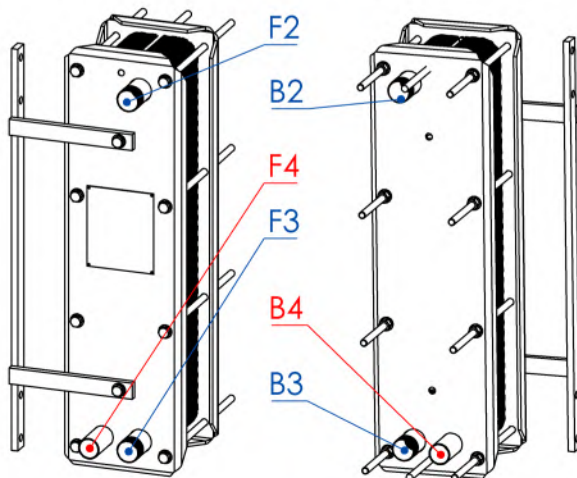


See quotation data sheet for "L"

Connection Locations

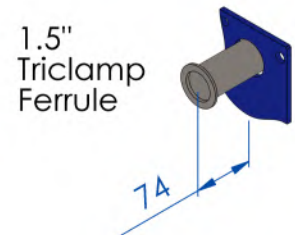
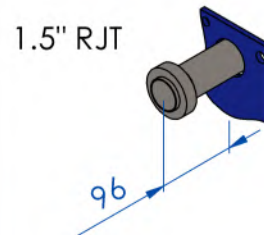
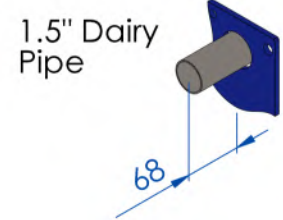
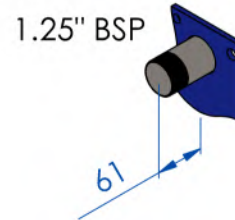
Front

Back



F4&B4 - 1.5" dairy pipe  
F2,F3,B2&B3 - 1.25" BSP

Connection Options



Other connection types Available on request