

Poultry Shed Air Heaters—PH Model

Our PH range of Air Heaters have been specifically designed for use in poultry shed heating applications or any applications where the air contains dust and/or fibres.

The Fan Assisted Radiant Space Heaters use hot water to provide back-ground heat to either large or small internal spaces. The heaters provide a steady stream of fan assisted radiant hot air.



Features

- 240v Single phase IP55 electric motor.
- Copper tubes with aluminium fins.
- Galvanised Steel frame.
- Lifting eyes and/or mounting feet fitted.
- Drain Point for emptying the tubes.
- Threaded BSP water connections.



kW Output

All models are designed to give maximum output even at ambient air temperatures of 30°C (typical for poultry shed applications).



Advantages Over Standard Heater Range

- Hinged fan panel door to allow access to both sides of heater matrix for cleaning.
- Thicker gauge fins for increased durability.
- Wider fin spacing to reduce blocking.
- Vertical water connections to aid installation.

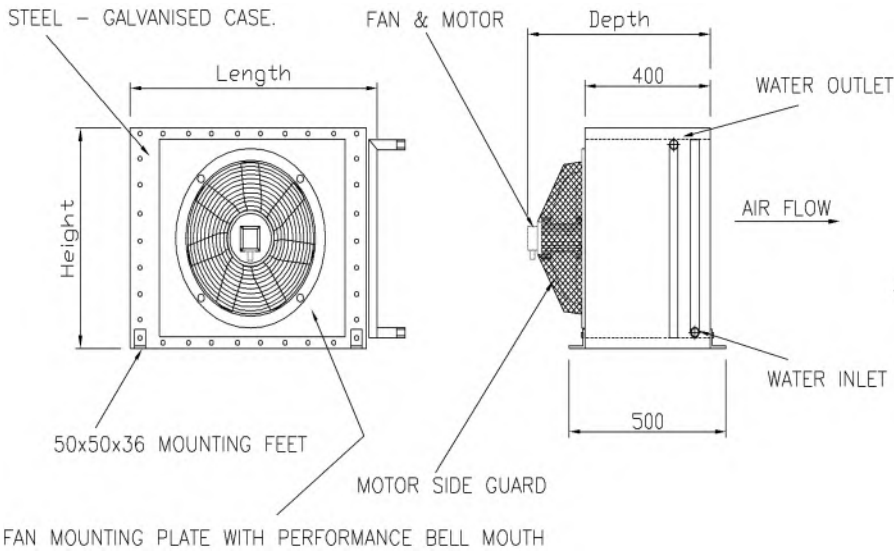
Additional Options

- Non-standard Sizes available
- Fin protection grille
- Louvres
- Throw Increasers
- Other materials

Control

Where required, UK Exchangers Ltd can supply bespoke control panels for automated operation.



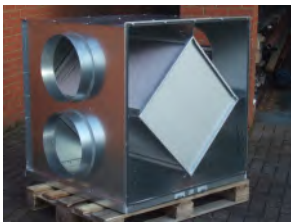


Stock Models

<u>Size</u>	<u>Output @ 30c</u>	<u>Output @ 15c</u>	<u>Length (mm)</u>	<u>Depth (mm)</u>	<u>Height (mm)</u>
PH-35	30 kW	45 kW	765	585	660
PH-55	50 kW	75 kW	915	605	780

Other Products from UK Exchangers Ltd

As well as Poultry Shed Heaters we offer a comprehensive range of heat exchangers, designed to meet a wide range of applications:



- Air to Air Heat Recovery Exchangers
- Finned Tube Coils
- Brazed Plate Heat Exchangers
- Gasketed Plate Heat Exchangers
- Heat Dump Radiators

- Water to Water Packaged Systems
- Steam to Water Packaged Systems
- All Welded Plate Heat Exchangers
- Heat Transfer Panels
- Tubular Heat Exchangers



UK Exchangers Ltd
Unit 55, Stilebrook Road
Olney, Buckinghamshire MK46 5EA
Tel: 01234-244320

E-Mail: sales@ukeltd.com Web
Site: www.uk-exchangers.com