

### Connection Details

Connection size: \_\_\_\_\_

Connection type: \_\_\_\_\_

Connection Function/Use/Connected too

Connection F1: \_\_\_\_\_

Connection F2: \_\_\_\_\_

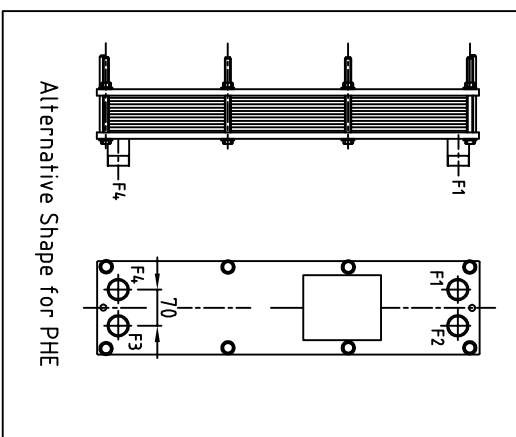
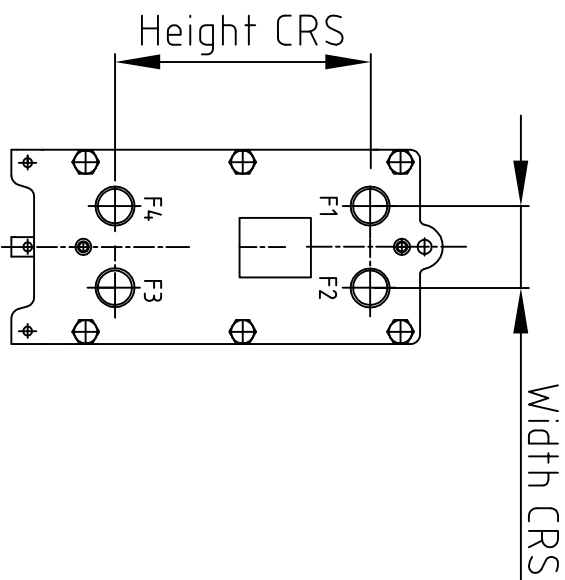
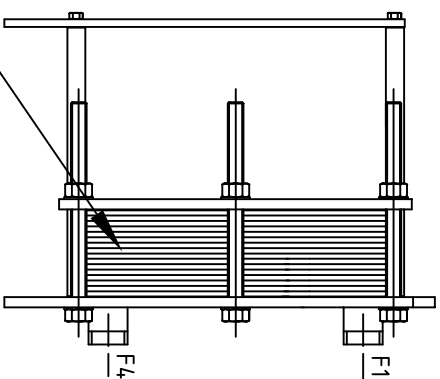
Connection F3: \_\_\_\_\_

Connection F4: \_\_\_\_\_

Number of Plates: \_\_\_\_\_

Model type: \_\_\_\_\_

Count plate edges to determine number of plates fitted



A

B

C

D

E

F

1

2

3

4

5

6

7

8

A

B

C

D

E

F

Itemref	Quantity	Title/Name, designation, material, dimension etc		Article No./Reference
Designed by	Checked by	Approved by - date	File name	Date

### Gasketed Plate Heat Exchanger

Information only

Edition 1

Sheet 1/1

F