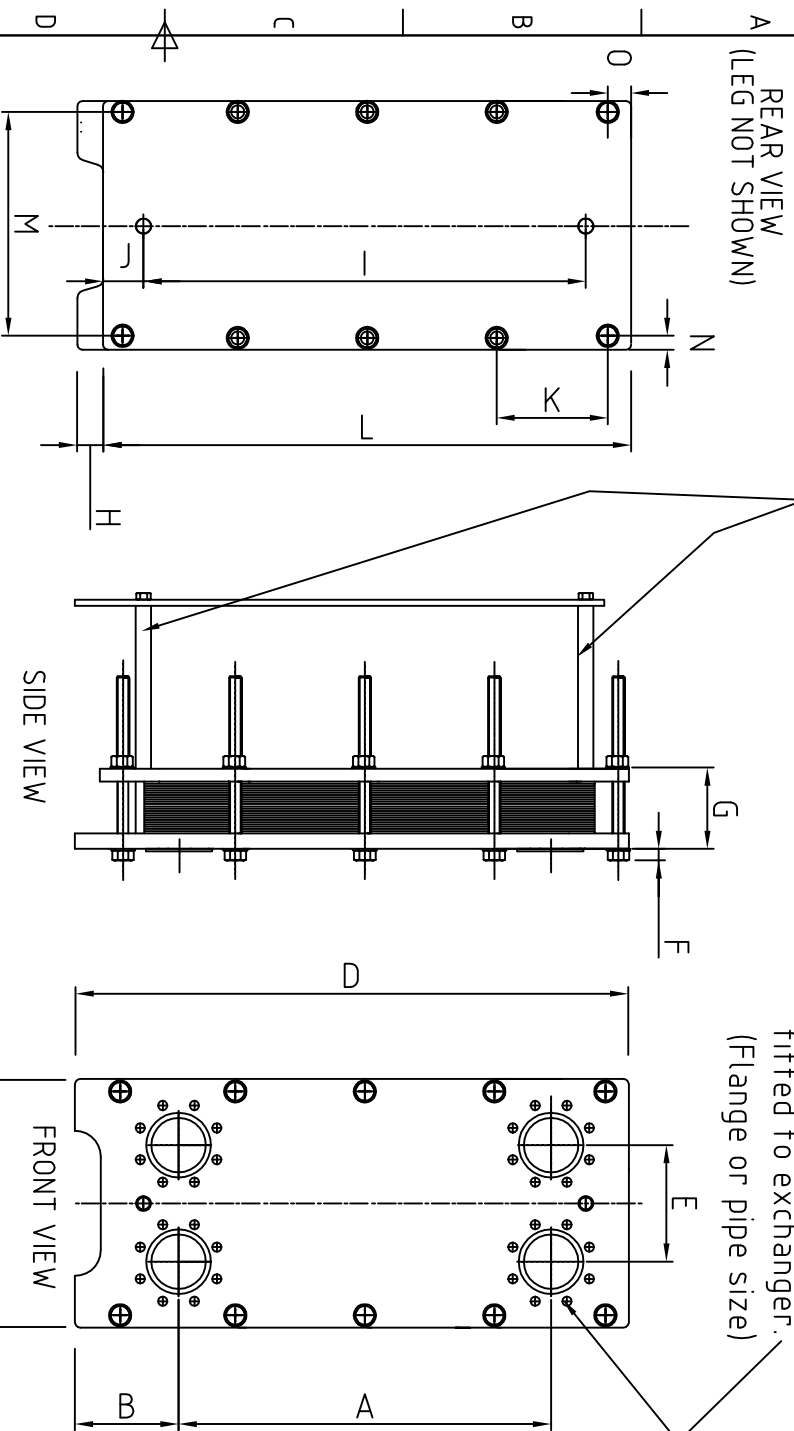


Detail size & shape of frame bars

Confirm type of connection fitted to exchanger. (Flange or pipe size)



MODEL TYPE
DIMENSION A
DIMENSION B
DIMENSION C
DIMENSION D
DIMENSION E
DIMENSION F
DIMENSION G
DIMENSION H
DIMENSION I
DIMENSION J
DIMENSION K,
DIMENSION L:
DIMENSION M:
DIMENSION N
DIMENSION O:

CONNECTION DETAILS:

FRAME BAR DETAILS:  
TOP BAR: (Diameter / shape)

BOTTOM BAR (Diameter / shape)

Itemref	Quantity	Title/Name, designation, material, dimension etc	Article No./Reference
Designed by	Checked by	Approved by - date	File name
UK Exchangers Ltd.		Fitting Insulation Jackets	
		Frame & Bar Details	Edition 1
			Sheet 1/1

UK Exchangers Ltd.

Fitting Insulation Jackets

Frame & Bar Details

Edition 1

Sheet 1/1